

# Physical Therapy.



# Physical Therapy.

Physical therapy is an essential component of modern medical treatment. High quality equipment fulfilling medical requirements is necessary for successful competition on the therapeutic devices market. Modern and efficient solutions cover a great number of different forms of therapy.

Putting your trust in Trautwein is justified: we have been physical therapy equipment system specialists since 1928. Our products are perfected continuously, in close cooperation with professional therapists and doctors. A special development department ensures that our equipment always corresponds to the latest standards of technology and safety.

Innovation, numerous patents, certification in compliance with the German Medical Product Law (MPG), quality management according DIN EN ISO 13485 and many customers all over the world speak for our high standard of quality.

Our equipment systems cover the whole range of physical therapy – from combination systems, partial baths to fango preparation systems. The technically perfected solutions by Trautwein guarantee pleasant and safe treatment for the patient and simple and easily understandable operation for the therapist.

Please visit [www.trautwein-gmbh.com](http://www.trautwein-gmbh.com) for current information and product innovations.



## TOP QUALITY.

High quality materials are decisive for the durability of a product. This is why Trautwein tubs are made of reliable **sanitary acrylic** material and only quality fittings are used. The fully dyed easy-care material retains its hygienically smooth surface and brilliant shine for decades.

## MADE IN GERMANY.

Trautwein GmbH is a family owned company globally operating. We are specialised in the production of hydrotherapy appliances and other products for the professional use in physical therapy, in nursing and medical institutions, as well as in wellness resorts. The tub bodies are produced in our company. We put all our experience in the development of our products whose convincing features show in their appealing design and an excellent technology,

# Contents.



Underwater massage and combination systems 4-5



Medical tubs and media supply system 6-7



Butterfly-shaped tubs 8



Four cell baths and partial baths charcot-shower 9-12



Pool hoists 13



Fango-paraffin preparation systems natural fango APS system 14-16



Water baths and heating equipment 17



Floating bed Thermo-Spa 18-19

## JUST TRY THEM OUT.

See the exceptional quality of our products for yourself. Visit our headquarters in Emmendingen (Baden-Württemberg, Germany) or one of our sales partners to take a look at products of the Trautwein range. Please phone **Tel. +49 (0) 7641/46 77-30** for more information about a sales partner near you or if you would like to make an appointment.

## TECHNICAL DETAILS.

**Pre-assembly drawings** and **detailed technical descriptions** are provided in the main catalogue for all available equipment. Tub and covering material colours in the Trautwein range of colours are available at no extra charge.

# Underwater massage and combination systems.

Model Wörishofen UW GI 1800 AC



The underwater and combination systems **Wörishofen and Boppard** are available equipped with various modules: underwater massage (UW), electro-galvanic control system for a galvanic bath called a 'Stanger' bath (GI) and a dry CO2 gas bath unit. The systems are compliant with the German Medical Products Law (MPG) and guarantee simple and convenient operation.

Quality fittings, a perfected electronic system and **high-grade acrylic tub material**, robust plastic coating and solid fabrication ensure outstanding durability.



◀ Model Boppard, type UW GI 1800 AC with 600 and 800 l available

▼ Control panel Wörishofen, mountings, electrical element, cascade filling device, extendible hand shower



## UNDERWATER MASSAGE UW.

- › Powerful plastic pump (200l/min) with dry operation protection, jet hose and various nozzles.
- › Massage pressure control with display, 0-5 bar.
- › Optional: whirlpool system with eight nozzles.

## DRY CO2 GAS BATH.

- › Complete equipment including steam generator, warm air blower and exhaust.

## GALVANIC BATH GI.

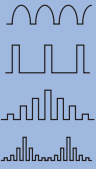
- › Adjustable and completely removable stainless steel electrodes allow hygienic cleaning.
- › Optional: additional hang-in electrode for specific arm or leg treatment, special size electrodes.

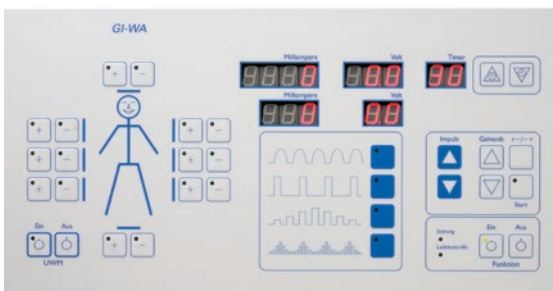
## ACCESSORIES.

- › Support handles for safe entry and exit, hand shower.
- › Optional: adjustable bath tub size reducer, positioning strap, adjustable head rest, tub access steps, emergency call.

# Great combination.

Many practical and intelligent details featured by Trautwein systems guarantee comfortable working conditions. Fast filling and emptying is ensured by an efficient 1 1/4" basin inlet pipe connection, with automatic filling facility on request, and a 2 1/2" outlet pipe connection. Solutions for individual needs can be selected from the great number of models and sizes (bath tubs with two different internal dimensions of either 1.800 or 2.000 mm for 600 or 800 litres are available). Tub and covering material are available in several colours from the specified colour range at no extra charge.

Performance of the electro-galvanic control element	
Control/Type	Microprocessor-controlled GI
Technical equipment	Digital display instruments, timer for duration of treatment
Galvanic current	0-24 volt, max 2 ampere
Therapeutic action, indications e.g.	Stimulating or soothing effect on the nerves, depending on polarity. Perfusion is promoted. Rheumatism, arthroses, arthralgia, vascular disorders, improved metabolism, vegetative dystonia, Sudeck's syndrome, iontophoresis.
Additional types of electric current	Pulsed current
Therapeutic principle of action:	 <ol style="list-style-type: none"> <li>1. Monophasic sinus half waves, 50Hz</li> <li>2. Square wave, 140Hz, pulse/pause ratio 2/5</li> <li>3. Slow square wave threshold current, i.e. 50Hz square waves, with 0.5Hz sinus waves superimposed</li> <li>4. Rapid square wave threshold current, i.e. 50Hz square waves, with 2Hz sinus waves superimposed</li> </ol>
indications e.g.:	<p>Fast relief for all kinds of painful conditions, stimulation current on muscles, electrical gymnastics for muscle contraction and for muscle strengthening.</p> <p>Muscular pain, vegetative disorders, post-injury, oedema reabsorption, 'detonification' of hypertonic and contracted musculature, stimulation current massage without continuous tonic</p>



◀ microprocessor-controlled electric element, type GI.  
All at a glance: Selecting the right treatment and the different electrical currents, that can be chosen individually.

## HYGIENE.

The hygienic condition of massage and combination systems has to be impeccable. Sterility can be achieved by addition of **BAYROMED® Active Oxygen**. **Rinsing with ADISAN WS** is recommended for removal of any fatty residues or other contamination.

Equipment options	Electro-galvanic control GI	Underwater massage UW	Carbonic acid dry CO <sub>2</sub> gas bath	600l volume	800l volume
Wörishofen 1800 AC	X	X	X	X	
Boppard 1800 AC	X	X		X	
Boppard 2000 AC	X	X			X

# Medical tubs.

Type München M 2130 AC



Oxygen, carbon dioxide or air bubble baths can be administered in the **medical tubs** by Trautwein. They can also be used for baths with all sorts of additives or e.g. mud and salt water baths. The tub structure is made of high quality **acrylic material** making it easy to clean, kind to the skin and practical. The models Wörishofen, München and Sylt can be equipped with an adjustable tub size reducer and support handles for maximum safety.

## SPECIAL EQUIPMENT.

- › Compressed air withdrawal set, type L.
- › Oxygen withdrawal set, type O<sub>2</sub>.
- › CO<sub>2</sub> withdrawal set, type CO<sub>2</sub>.
- › Emergency call signal facility.
- › 2 1/2" outlet pipe connection, standad 1 1/2".
- › Support handles for safe entry and exit.
- › Fittings for mineral water and seawater.

## ACCESSORIES.

- › Air and oxygen bubble mat.
- › Tub access steps, adjustable tub size reducer.
- › Colours included in the specified colour range at no extra charges.

« Model Wörishofen  
M 1840 AC



## OPTION: HYDROXEUR®-MASSAGEJETS.

**Model München:** 40 air-/water jet nozzles massage quiet as a whisper with our unique Hydroxeur®- principle and create an extraordinary treatment with a high therapeutic effect. It involves air being injected directly into the water pipes. Our bath additives have been specially formulated for the Hydroxeur® whirlpool. The surge bath emits fine swirls and eddies that create millions of tiny air bubbles. These bubbles mix our fragrant additives with the water creating a pleasant inhalation and aroma thera-

py. The air is intensely intermixed and remains for minutes in the oxygenated water, creating an unique, aromatic champagne effect. Using our Hydroxeur®-principle all air and water nozzles are supplied through a single canal system, cleaning and desinfection of the water and air is thereby effected simultaneously. The PROFESSIONAL SPA bathing additives with the scents chamomile, mint and lemon, rosemary and mountain pine make the nursing bath a professional wellness area.



# Universal application.

**Medical tubs** are available in various sizes and designs, e.g. with or without covering or fittings. They can also be used as **raised bath tubs** in hospital wards and can be integrated in the existing facilities by fitting them with tiles.

Medical tubs.		
Type	M 1840 AC	M 2130 AC
External	1840 x 850 x 680 mm	2130 x 830 x 680 mm
Volume	250 l	220 l
Filling & showering unit 1", concealed	Model Wörishofen	Model München
Filling & showering unit, 1/2", surface-mounted	as alternative	–
Tub depth	490 mm	490 mm



- Carbonic acid impregnation device >
- Air bubble mat >>
- Oil dispersion nozzle v



## AVAILABLE MEDIA SUPPLY.

Various media supplying equipment is available for Trautwein tubs. This allows the tubs to be used for different forms of treatment.

- > CO<sub>2</sub> impregnation device, type 25 for 2 tubs.
- > CO<sub>2</sub> impregnation device, type 50 for up to 5 tubs.
- > CO<sub>2</sub> and O<sub>2</sub> reduction unit.

## HYDROXEUR® DIANE & FLORIDA.

60 or 144 Hydroxeur-massage jets are placed ergonomically in accordance with the reflex zones of the body and produce an exceptionally intensive massage and a tingling sensation. The model Diana is working with 60 jets, all active at the same time. The model Florida (see picture above) treats the patient with massages starting at his feet up and going up to his neck in repeating intervals. Please see our brochure "Wellness Systems" for further information.

# Butterfly-shaped tubs.

Model Ergoform SUW 2100 K



The **butterfly-shaped tub** by Trautwein with a holding capacity of 1,100 litres is ideal for administration of underwater exercises and massages. Its special shape allows plenty of space for sweeping gymnastic exercises for the arms and legs. In addition to underwater massage, the butterfly-shaped tub can also be used for galvanic baths by means of a mobile electrical unit GI (see the table on page 5 for more details).



- « Head rest and exercise bar
- « Fittings

- « Tub size reducer for combination systems and butterfly-shaped tubs

## DETAILS AND ACCESSORIES.

- › Comfortably warm plastic tub structure.
- › User-friendly high quality fittings.
- › Three support handles for safe entry and exit, hand shower.
- › Optional: adjustable tub size reducer, positioning strap, adjustable head rest, tub access steps, emergency call, automatic filling facility, support handle and exercise bar.
- › See page 5 for information regarding hygiene.

## UNDERWATER MASSAGE UW.

- › Powerful plastic pump (200l/min) with dry operation protection, jet hose and various nozzles.
- › Massage pressure control with display, 0-5 bar.

## GALVANIC BATH.

- › Mobile electrical unit equipped with GI control. Two plastic side elements, complete with electrodes, contact bolts and connecting plugs, for hanging on the tub edge are available.



# Four cell baths.

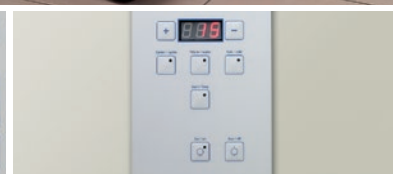
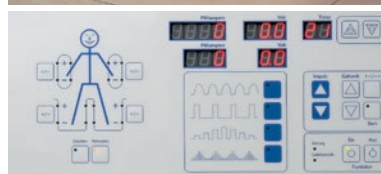
The treatment options in a **four cell bath** are numerous: **galvanic baths, equipped with 4 pulsed currents** as a standard feature, are possible as well as Kneipp-style alternating hot and cold water baths or rising temperature baths. Baths with therapeutic alternating temperature jets can be administered automatically with the accessory equipment WBS. A stationary, height-adjustable swivel chair allows the patient to be lifted or lowered as required.

Model Wörishofen GI-VZ WBS



Microprocessor-controlled >  
electrical element GI-VZ  
Electronic control for >>  
contrast bath treatment, WBS

Stationary, height-adjustable >  
swivel chair (500mm lifting  
360° swivel motion)



## GALVANIC BATHS GI-VZ.

> Microprocessor-control GI-VZ for single and multiple cell treatment (see GI column in table on page 5).

## KNEIPP-STYLE CONTRAST BATHS.

> The cells are filled with water of differing temperatures. Kneipp therapy involves immersing the arms and legs in the water. Manually regulated rising temperature baths can also be administered.

## CONTRAST BATH TREATMENT WBS (OPTION).

> Digital indication of warm and cold treatment periods.  
> Digital indication of the number of alternating treatments.  
> Touch pad for easy operation.  
> Service-friendly integration in control panel.  
> Low water consumption due to spraying nozzles.  
Pleasant and comfortable treatment.

# Partial baths.

Pedi-Jet and Mani-Jet



**Mani-Jet** and **Pedi-Jet** are hydrotherapy systems for administration of an intensive underwater massage to the extremities with an intermittent water/air mixture by means of 40 nozzles. The powerful circulating water pump (250l/min) has a dry operation protection and an integrated water jet pump for addition of air. Easy operation is ensured by a digital time switch, a 1/2" thermostat for filling and an air regulation valve.

Patients can be bathed in a sitting position using the **hip bath model Nürnberg**. An integrated lifting mechanism allows the patient to be placed in the tub and taken out again easily. The hip bath is also available without lifter as the model called **Standard**.

- « Hip bath Nürnberg, type S-HS-AC with integrated lift system
- « Hip bath Standard, type S-WA-AC
- « Seat with bidet function for hip bath (option)

## LIFT MECHANISM FEATURES.

- › Easy lifting out (up to 150kg) by means of the lifting system.
- › Safety due to a currentless air-based control system.
- › Good perfusion of the legs and relaxed sitting due to swing-out leg rest.
- › Easy to clean and disinfect on account of smooth surfaces.
- › Opening in seat for treatment and cleaning of the genital area.

## KNEIPP-STYLE-TREATMENTS.

Easy and pleasant treatment of individual body parts is possible using Trautwein partial baths. Contrast arm and foot baths are used here. Detailed descriptions, information about sizes and arrangement of fittings are provided in our technical catalogue.

# Partial baths.

Free-standing and wall-mounted shower consoles in various designs are available for different water qualities. See also page 12 Charcot-shower.

Free-standing shower console, type DSK.  
Water application support structure and protective shield



Contrast foot bath >  
Model Kneipp, type WF-WA-K  
Electronic control element WBS >>  
(Four-cell-bath and foot-bath)

Contrast arm bath >  
Model Kneipp, type WA-WA-K



## TECHNICAL DETAILS.

- > Colours acc. Trautwein-colour chart available without extra charge.
- > Shower equipment is available in various designs: surfacemounted or flush-mounted, free-standing or wall-mounted versions, with or without 1" contrast shower facility and for various water qualities.

## SPECIAL ACCESSORIES.

The contrast foot bath model Kneipp can be supplied equipped with a contrast bath control system type WBS for automatic contrast baths. See page 9 for description. Detailed descriptions, information about sizes and arrangement of fittings are provided in our technical catalogue.

# CHARCOT-SHOWER.

Charcot-shower



## AFFUSION & MASSAGE SHOWER

This holistic shower treatment has a long tradition in the field of physical therapy. With “jacket-shower”, the seat with bidet function and the free-standing shower console, the whole body as well as only parts of it can be treated with hot and cold water, showers or jet-massage.

## MODELL CHARCOT.

The user-friendly control panel made of high quality acrylic material with integrated thermostats, valves and jet hoses, can be equipped with an additional device that allows switches from cold to warm water temperatures within seconds. These treatments are given and surveyed by a physical therapist.

# Pool hoist Pooli.

The **pool hoist Pooli** has been designed especially for the use at the edge of a pool. Due to this hoist system it is possible for people to access the water which normally can not get in the pool via stairs or ladder. The Pooli helps here conveniently and securely.

POOLI II WITH SEAT

▼ pneumatic manual switch    ▼ Pooli with couch



A trolley is available for the >>> seat as well as for the couch that allows to take the bather from the cubicle to the swimming pool. There the seat /the couch is taken off the trolley and coupled on the hoist.



## POSSIBILITIES OF USE.

- › The hoist can be equipped with either a seat or a couch and with or without trolley.
- › Mounted with 4 compound anchors on the floor or the balustrade. The removable POOLI can alternatively be mounted with a ground socket.
- › Individual adaptation to different types of swimming pool, with or without balustrade. We will offer you a customized solution.
- › Robust due to stainless steel coated with plastic.

## SPECIFICATIONS.

- › For persons weighing up to 150 kg.
- › Jerk-free height adjustment by electric drive.
- › Integrated electronically steered battery charger.
- › Mobile pneumatic manual switch with a 2 m long steering cable allowing to the therapist to be always close to the patient – even in the water.

# Fango-paraffin preparation equipment.

FANGO-combinations



An enormous number of **fango-paraffin preparation systems** by Trautwein have proven themselves in thermal therapy facilities all over the world. Trautwein provides the right size of stirrers, warming cabinets and individual fango preparation equipment for every need. Special sizes and L- or U-shaped arrangements are also available.



- « Stirrer AR 70 with base cabinet FW 4060 N.
- « Stainless steel cleaning product.



- « The operating element can be mounted at the front or side of the stirrer.

## FANGO COMBINATIONS.

Various fango components can be combined as required: warming cabinets FW 4060 and FW 5070, fully electronically controlled stirrers AR and ER as well as work surfaces, sinks, fango disposal trolley, shelves and base cabinets – from simple preparation devices to complete fango ‘kitchens’. Individually designed and quickly installed.

## TECHNICAL DETAILS.

- › The stirrer blade can be removed from the vessel for cleaning very easily.
- › Intermittent stirrer heating avoids overheating the fango material, making it usable for a longer period of time.
- › Service-friendly technology: the complete control unit is easily detachable from the equipment.
- › A defective control system can be exchanged by the customer avoiding any extra service charge.

# Fango made to measure.

Technical Specifications: Fully electronically controlled stirrers for fango-paraffin preparation							
Technical specifications		Typ AR			Typ ER		
		50 N	70 N	100 N	50 N	70 N	100 N
Nominal volume	L	50	70	100	50	70	100
Usable volume	kg	63	85	125	63	85	125
Measurements L x W	mm	530 x 530	630 x 630		530 x 530	630 x 630	
Height	mm	645		765	645		765
Nominal diameter of withdrawal valve	mm	50					
Thermal power of heating system		3kW – maintenance-free industrial heating plates					
Period of guarantee of heating + withdrawal valve		5 years					
Driving motor	W	180					
Type of geared motor		Hollow shaft- worm drive gear unit, flexibly mounted					
Stirrer agitation type		Counterflow mixing blades					
Electrical connection (standard), alternative connective subject to extra charge <1>		400V Three-Phase Current 3.18kW 6.8A – CEE plug 16A 230V Alternating Current 3.18kW 14.5A – two-pin grounded plug (not AR 100 N and ER 100 N)					
Covering material		Design rolled stainless steel sheet					
Vessel construction (material)		Thick-walled aluminium with mineral wool insulation			Double-walled stainless steel pressure vessel. Vessel bottom made of V4A with maintenance-free heat transfer oil filling and mineral wool insulation.		
Average energy consumption per kg fango paraffin including sterilisation		105 Watt			80 Watt		
Additional power consumption of AR types compared to ER types		+31 %			–		
Safety mechanisms		<ul style="list-style-type: none"> <li>• Maximum limiter, break-proof</li> <li>• Covered switch</li> <li>• Warning facility for fango temperatures above 80°C</li> </ul>					
Inspection		German Technical Inspection Agency, TÜV – Südwest, according to VDE 0700 Part 1 (EN 60 335-1)					



<1> note: For technical reasons, 230V stirrers are louder than stirrers with 400 V three-phase motors.

Energy-saving convenience control warming cabinet FW

Technical Specifications: Warming cabinets FW			
Type		FW 4060 N	FW 5070 N
Width	mm	650	900
Depth	mm	720	720
Height	mm	820	820
Trays	pcs	10 (+4 optional)	10 (+4 optional)
W x D	mm	400 x 600	460 x 680
Electrical connection		1845 W, 230 V, 50 Hz	1845 W, 230 V, 50 Hz
Power consumption	kWh	0,12	0,12



## ENERGY-SAVING CONVENIENCE CONTROL STIRRER.

- › Easy and convenient operation.
- › Operating temperature range of 55-80°C.
- › Time-controlled stirring 1-99 minutes.
- › Sterilisation with specific programme.
- › Energy-saving weekend and holiday programme.
- › Preparation of fango material with appropriate care by means of intelligent technology.



## ENERGY-SAVING CONTROL WARMING CABINET FW.

- › High precision due to digital temperature control.
- › Individual switch-on and switch-off facility without programme change using automatic/manual key.
- › Additional energy-saving option by integrated weekend time switch with individual setting.
- › Energy saving of up to 4,000kWh over 10 years.



# Adhesion pack system.



Trautwein offers a simple solution for single application packs that is more economical and environmentally-friendly as compared to all other conventional methods: the **adhesion pack system (APS)**. A special foil is used to which a thin layer of the therapeutically active material adheres. The energy for the treatment is provided by a heat transfer medium.



- ◀ Moor mud, medicinal mud or natural fango is mixed with water and stirred according to the instructions. Warming is not required.
- ◀ The paste is put on a tray. The APS foil is placed on the material with the sticky side down. Up to 120 packs can be produced with one stirrer volume.
- ◀ A thin layer of the pack material adheres to the foil when this is pulled off. Permeable material ensures direct contact of the material of the pack with the body without any undesirable contamination.

## ADVANTAGES OF APS.

- › From 8 applications per day: lower costs as compared to ready-made single application packs.
- › Packs can be disposed of as domestic refuse, lowering disposal costs as well as less energy consumption due to environmentally-friendly materials.
- › Less packmaterial and easy handling.
- › Less space requirement for storage of necessary stocks.
- › Slow ascend effect for pleasant treatment.
- › Moor mud, medicinal mud or natural fango can be used depending on the supplier.
- › The efficiency of APS packs is supported by scientific evidence.



# Airing cabinet & water baths.

Technical Specifications: Equipment for preparation of heat transfer media				
Equipment typ	APS 18	WB 30 / WB 30 digital	WB 60	WB 66
Heat transfer	By air	By water	By water	By water
No of heat transfer media units	18 units, size 1	15 units, size 1	2 x 15 units, size 1	24 units, size 1
Dimensions in mm	W 800 x H 475 x D 460 if door is open D 860	W 360 x H 320 x D 600 W 360 x H 370 x D 605	W 750 x H 310 x D 660	W 750 x H 310 x D 660
Positioning of the heat transfer media	Lying down, sorted, good overview.	Can only be stacked on top of each other.	Good overview by restacking from one bath to the other. Both vessels can be operated independently from each other.	Good overview possible by restacking.
Volume	9 x 40 x 60cm	32 litres	2x 32 litres	66 litres
Handling	No scalding possible, heat transfer media can be handled by hand.	Tongs required for removal. Scalding hazard due to approx 60°C hot water.		
Miscellaneous	Stainless steel equipment with detachable front door, insulated on all sides.	Desktop model with seamless, deep-drawn stainless steel vessel, no crack corrosion, insulated on 5 sides, outer stainless steel covering, lid with hinge and condensate return made of stainless steel, bottom insert with spacers, discharge tap.		
Control	Microprocessor-control information, see below.	Thermostat selector 30-110°C, operation control light. Only WB 30 digital: LED indicator from 20 to 95°C +/- 1°C with touch pad.		
Dimensions in mm (trolley)	W 800 x H 690 x D 460	W 360 x H 560 x D 600	W 750 x H 590 x D 610	W 750 x H 590 x D 610
Material	Steel tube welded construction, plastic-coated, with 4 castors, two of these with locks. 1 intermediate stainless steel bottom.			

APS 18

WB 30

WB 30 digital

WB 60

WB 66



## MICROPROCESSOR-CONTROLLED APS 18.

- › Easy, clear operation.
- › ON- and OFF-switch with control light.
- › Digital indication of temperature, time and day-of-the-week.
- › High precision due to digital temperature control.
- › Additional energy-saving option by integrated weekend time switch with individual setting.
- › Individual switch-on and switch-off facility without programme change using automatic/manual key.

## QUALITY THAT PAYS OFF.

- › Durable water baths made of seamless, deep-drawn stainless steel.
- › The containers are made of stainless steel up to their upper edge. No silicon seal used!
- › High quality heating system, easy to access and to replace if necessary.

# Thermo-Spa for dry floatation.

Thermo-Spa with standard cladding.



## EFFECT OF THE FLOATING COUCH.

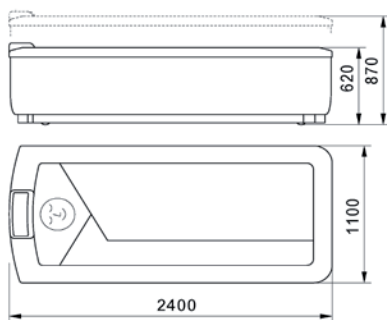
- › Warming-up and relaxation of the muscles
- › Promoting blood circulation
- › Relief for joints, pelvis, spine and the entire skeleton.  
Pains can be reduced.
- › Very healing effect on people suffering from dementia, depression, sleep disturbance, anxiety and internal tension.  
Spasticity can be relieved and muscles become more relaxed and flexible.

## FLOATING – PURE RELAXATION.

Floating on the Thermo-Spa has an intensive and relaxing effect without the person getting wet. The patient is ideally prepared for the manual treatment with or without body wraps. Floating is easy and extremely pleasant, since there is no need to undress, to dry or to dress the patient.

# Highest lightness.

Floating – the body becomes very light. Weightlessness spreads slowly throughout the body. Surrounded by relaxing warmth, a primordial feeling of secureness frees body and mind. Soft sounds reach the ears, and harmonious vibrations are perceived with all the senses. Physical afflictions and everyday worries seem to melt away. Even before we are born, we experience something very special in the warmth of the womb. The **THERMO-SPA** lets the patient feel absolutely secure and weightless, because he is floating, only separated by a foil, on cosy and warm water. Only approx. 1/7 of the body weight is perceived. Depending on the configuration the bed spoils in addition with sound wave massage, breathing rate vibrations and AquaJet-Massage. Also **the team can use the Thermo-Spa for relaxation**. The massage module AquaJet prevents spinal and back disorders, the lightness feeling degrades stress and brings about new power for the daily challenges. The Lady-Spa with its smaller dimensions has been created especially for smaller rooms.



Dimension Thermo-Spa

Option: three-piece overlay ›  
for manual treatments  
an over-head control panel ››  
the patient can use during the  
treatment is also available

v option: colour light modul Aura



## BREATHING RATE VIBRATION.

The breathing rate vibration transports guests into a complete state of relaxation. Their breathing intuitively adapts to the preset rhythm of the well-being module. In harmony with the body, the soothing impulses ensure a deeply relaxing experience. Very comprehensive studies are at hand.

## MASSAGEMODUL – AQUAJET (OPTION).

The Thermo-Spa massages from thighs to the neck like an experienced therapist. Temperature-regulated water jets are hitting against the underside of the bed surface, releasing muscle tension. In the way, the guest experiences the healing power of water without getting wet. Different treatment programs possible

# Environment friendly production – Made in Germany.

The world relies on Trautwein. Especially as far as products for physical therapy, patient care and wellness are concerned. Our over 10,000 satisfied customers on every continent include clinics, care facilities, rehabilitation centres, therapeutic practices, homes for the elderly, hotels and private customers. We take a responsible approach to the environment and the next generation. Our 1.800 m<sup>2</sup> solar power plant generates more than 100 percent of our whole electricity requirements. Trautwein GmbH even received an award from the WWF for its commitment to the environment.



Trautwein GmbH  
Denzlinger Straße 12  
79312 Emmendingen  
Germany



Tel. +49 (0) 7641/46 77-30  
Fax +49 (0) 7641/46 77-70  
info@trautwein-gmbh.com  
www.trautwein-gmbh.com

Technology for the senses.

**TRAUTWEIN**